

CREATELED®

AirFLOOR-V1

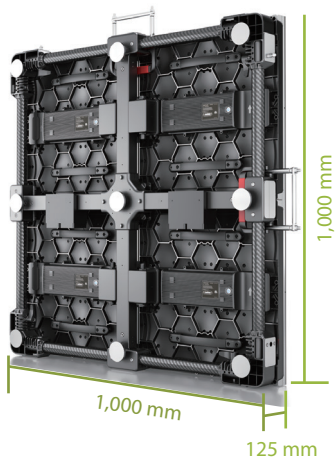
Height Adjustable Floor Display

Ultra-Slim and Light Weight
Extra Wide Viewing Angle
IP 65 Waterproof
Cooling System Attached
Adapts to any Uneven Floor



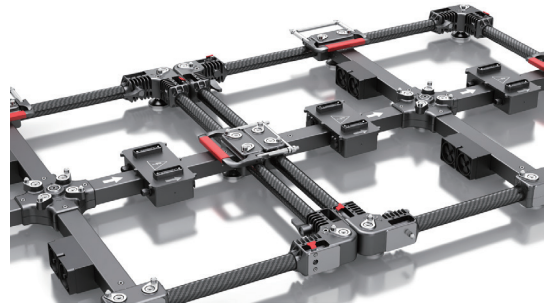
Super Lightweight

- › Single Cabinet weighs only 7.5 kg, 46 kg per m², total thickness down to 125 mm.
- › Carbon Fiber Structure and Extrudate Splicing Design build up the overall strength and massively weight reducing.
- › Cooling System Attached.



Fast Convenient

- › Plug-In Connection applied between Cabinet and Holder to enhance connection reliability and cable saving.



Ebony Technology

- › Ebony-Tech and Optical Materials collaboratively support LED panel's duration. Effectively against Multiple Environmental Interferences, External Pressure and Friction.
- › Support the Human-Machine Interaction.

Sturdy and Waterproof

- › Waterproof with IP 65 for both Front and Rear sides.
- › Front Side Loading Limit Up to 2500 kg.
- › Mainly focus on: Outdoor/Indoor Floor Display.



AirFLOOR-V1

AirFLOOR-V1 / Specifications

	AirFLOOR-V1 1X	AirFLOOR-V1 2	AirFLOOR-V1 3*	AirFLOOR-V1 4*
Physical Pitch	1.6 mm	2.6 mm	3.9 mm	4.8 mm
Pixel Configuration	SMD	SMD	SMD	SMD
Pixel Density	360,000 pixels/m ² 90,000 pixels/panel	147,456 pixels/m ² 36,864 pixels/panel	65,536 pixels/m ² 16,384 pixels/panel	43,264 pixels/m ² 10,816 pixels/panel
LED Module Dimensions (mm)	250 × 250	250 × 250	250 × 250	250 × 250
Panel Dimensions (W × H × D) (mm)	500 × 500 × 73.5	500 × 500 × 73.5	500 × 500 × 73.5	500 × 500 × 73.5
Panel Dimensions (bracket included) (mm)	1,000 × 500 × 125 / 1,000 × 1,000 × 125	1,000 × 500 × 125 / 1,000 × 1,000 × 125	1,000 × 500 × 125 / 1,000 × 1,000 × 125	1,000 × 500 × 125 / 1,000 × 1,000 × 125
No. of Modules Per Panel (W × H)	2 × 2	2 × 2	2 × 2	2 × 2
Physical Resolution of Module (W × H)	150 × 150	96 × 96	64 × 64	52 × 52
Physical Resolution of Panel (W × H)	300 × 300	192 × 192	128 × 128	104 × 104
Weight Per Panel	7.8 kg/panel *	7.5 kg/panel *	7.5 kg/panel *	7.5 kg/panel *
Weight Per m ² (bracket included)	47.2 kg/m ² *	46 kg/m ² *	46 kg/m ² *	46 kg/m ² *
Processing	16 bit	16 bit	16 bit	16 bit
Colours	281 trillion	281 trillion	281 trillion	281 trillion
Contrast Ratio	80,000 : 1	80,000 : 1	80,000 : 1	80,000 : 1
Average Power Consumption	72 - 120 w/panel *	50 - 80 w/panel *	50 - 80 w/panel *	50 - 80 w/panel *
Max Power Consumption	240 w/panel *	160 w/panel *	160 w/panel *	160 w/panel *
Operating Temp/Humidity	-20 - 50°C/10% - 90%	-20 - 50°C/10% - 90%	-20 - 50°C/10% - 90%	-20 - 50°C/10% - 90%
Storage Temp/Humidity	-30 - 60°C/10% - 90%	-30 - 60°C/10% - 90%	-30 - 60°C/10% - 90%	-30 - 60°C/10% - 90%
Brightness	400 - 600 nits	600 - 1,000 nits	600 - 1,000 nits	600 - 1,000 nits
Refresh Rate	1,920 - 3,840 Hz	1,920 - 3,840 Hz	1,920 - 3,840 Hz	1,920 - 3,840 Hz
Human-Machine Interaction	NO	NO	NO	YES
Horizontal Viewing Angle	160°	160°	160°	160°
Vertical Viewing Angle	140°	140°	140°	140°
Expected LED Lifetime (Max)	100,000 Hrs	100,000 Hrs	100,000 Hrs	100,000 Hrs
Servicing	Front *	Front *	Front *	Front *
IP Rating	IP 65	IP 65	IP 65	IP 65
Certification	CE, EMC ClassA, ETL, FCC, RoHS *	CE, EMC ClassA, ETL,FCC, RoHS *	CE, EMC ClassA, ETL, FCC, RoHS *	CE, EMC ClassA, ETL, FCC, RoHS *

* The products listed above are currently under development

***The specification will be different based on different configuration.**

Remark: Just for reference. If any request, welcome to contact us. The final interpretation belongs to ShenZhen CreateLED Electronics Co., Ltd.

Typical Applications

- › Car show
- › Shopping mall
- › Opera house
- › Theme resort
- › Exhibition hall
- › KTV
- › Reception hall
- › Fashion store / show
- › Theatre stage design
- › Wedding
- › Stage
- › Bar club
- › Window display
- › Railway station
- › Airport
- › Stadium
- › Star Hotel
- › Company's reception